

DESCRIPTION

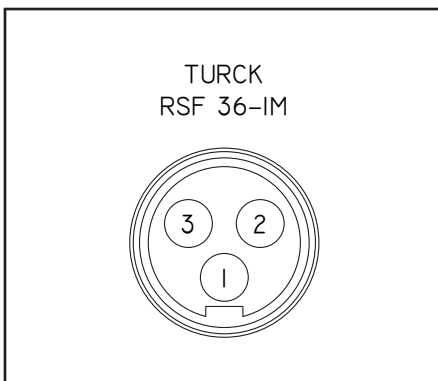
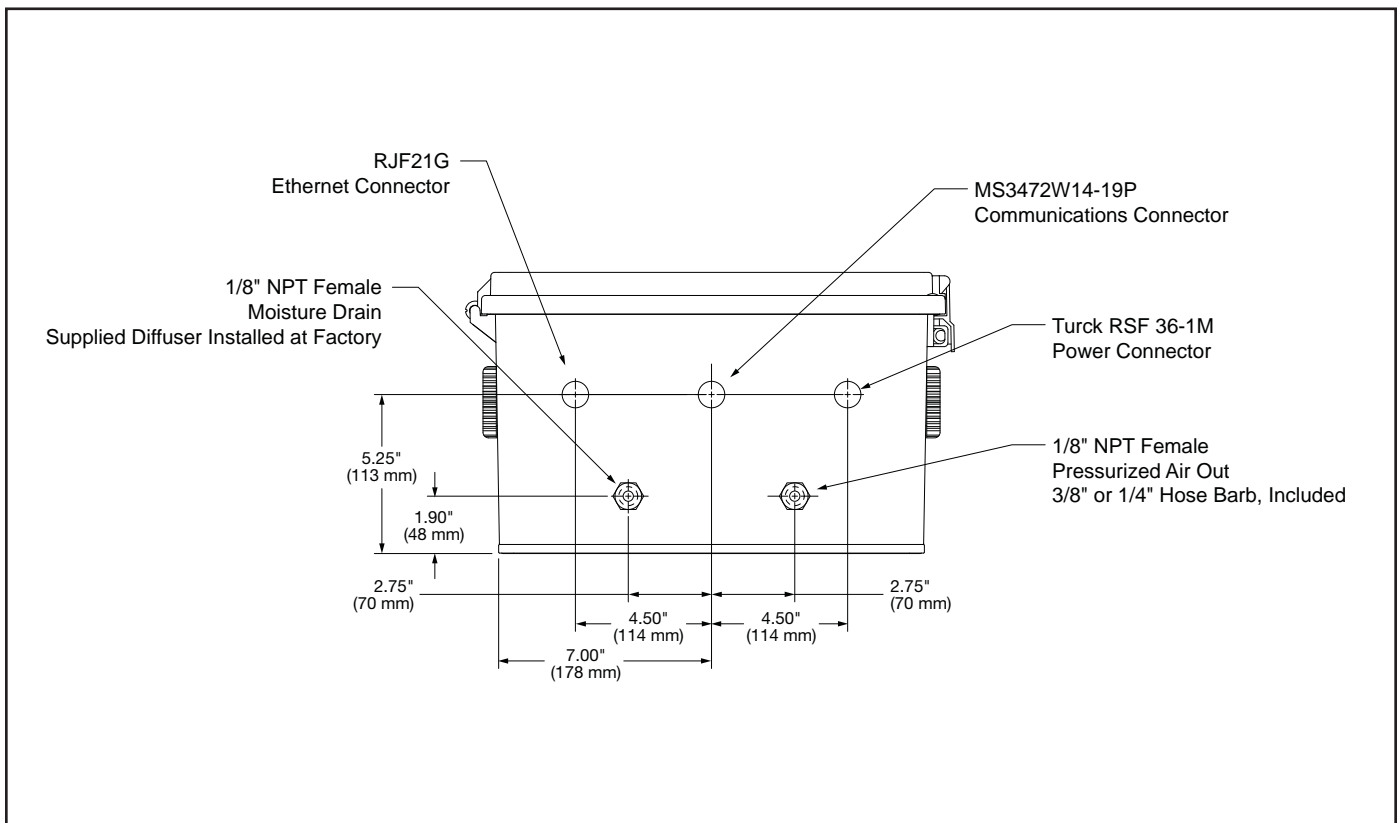
ADH NETCOM NEMA automatic dehydrators are typically employed as part of a mobile telecommunications platform or in remote, outdoor locations. These types of applications often make it impractical to use electrical

conduit for protecting the power and communications wiring from the environment.

The optional Mil-Spec connector kits provide high reliability, quick-mating connectors instead of electrical conduit. The Type 2 kit uses three

separate connectors for power, serial communications and ethernet.

For complete information describing its application, installation and features, please contact Customer Service or check on the web at www.networketi.com.

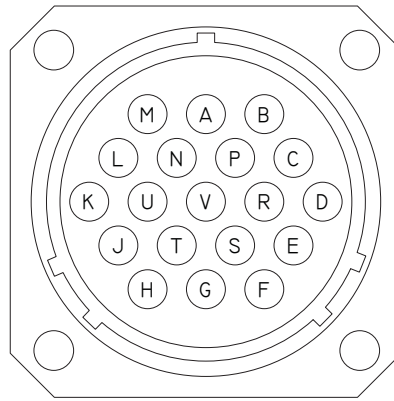


Power Connection Pin Out

Position	Color	AC Connections	DC Connections
1	GREEN	GROUND	GROUND
2	BLACK	LINE	POSITIVE
3	WHITE	NEUTRAL	NEGATIVE



5652 W. Monee Manhattan Road
Monee, IL 60449
Phone- 708-534-0008
Fax- 708-534-0117



Communications Pin Out

Position	Internal Port Type	Destination Pin	Function	Color
A	RS422A	3	RX +	BROWN
B	RS422A	4	TX +	ORANGE
C	RS422A	6	TX -	YELLOW
D	ALARM	1	Relay 1 close on alarm	TAN
E	ALARM	2	Relay 1 open on alarm	PINK
F	ALARM	3	Relay 2 close on alarm	DARK BLUE
G	ALARM	4	Relay 2 common	WHITE/BLACK
H	ALARM	5	Relay 2 open on alarm	WHITE/RED
J	RS232	2	TX	LIGHT BLUE
K	RS232	3	RX	VIOLET
L	RS232	8	RTS	GREY
M			+5V (from RS422A PIN 2)	RED
N			Ground (from RS422A PIN 1)	BLACK
P	RS422A	9	RX -	GREEN
R	ALARM	9	Relay 1 common	WHITE/GREEN
S	ALARM	10	Relay 3 common	WHITE/YELLOW
T	ALARM	11	Relay 3 open on alarm	WHITE/BLUE
U	RS232	7	CTS	WHITE
V	ALARM	12	Relay 3 close on alarm	WHITE/BROWN

ORDERING INFORMATION

Order Number	Description
23856	ADH NETCOM NEMA Automatic Dehydrator, AC w/ Mil-Spec Connectors, Type 2
23882	ADH NETCOM NEMA Automatic Dehydrator, DC w/ Mil-Spec Connectors, Type 2
23883	Type 2 Mil-Spec Connector Accessory Kit (for 23483 & 23589)

LIMITED WARRANTY

ETI's two year limited warranty covering defects in workmanship and materials applies. Contact Customer Service for complete warranty information.

DISCLAIMER

Environmental Technology, Inc. makes no representations or warranties, either expressed or implied, with respect to the contents of this publication or the products that it describes, and **specifically disclaims any implied warranties of merchantability or fitness for any particular purpose**. Environmental Technology, Inc. reserves the right to revise this publication, and to make changes and improvements to the products described in this publication, without the obligation of Environmental Technology, Inc. to notify any person or organization of such revisions, changes or improvements.